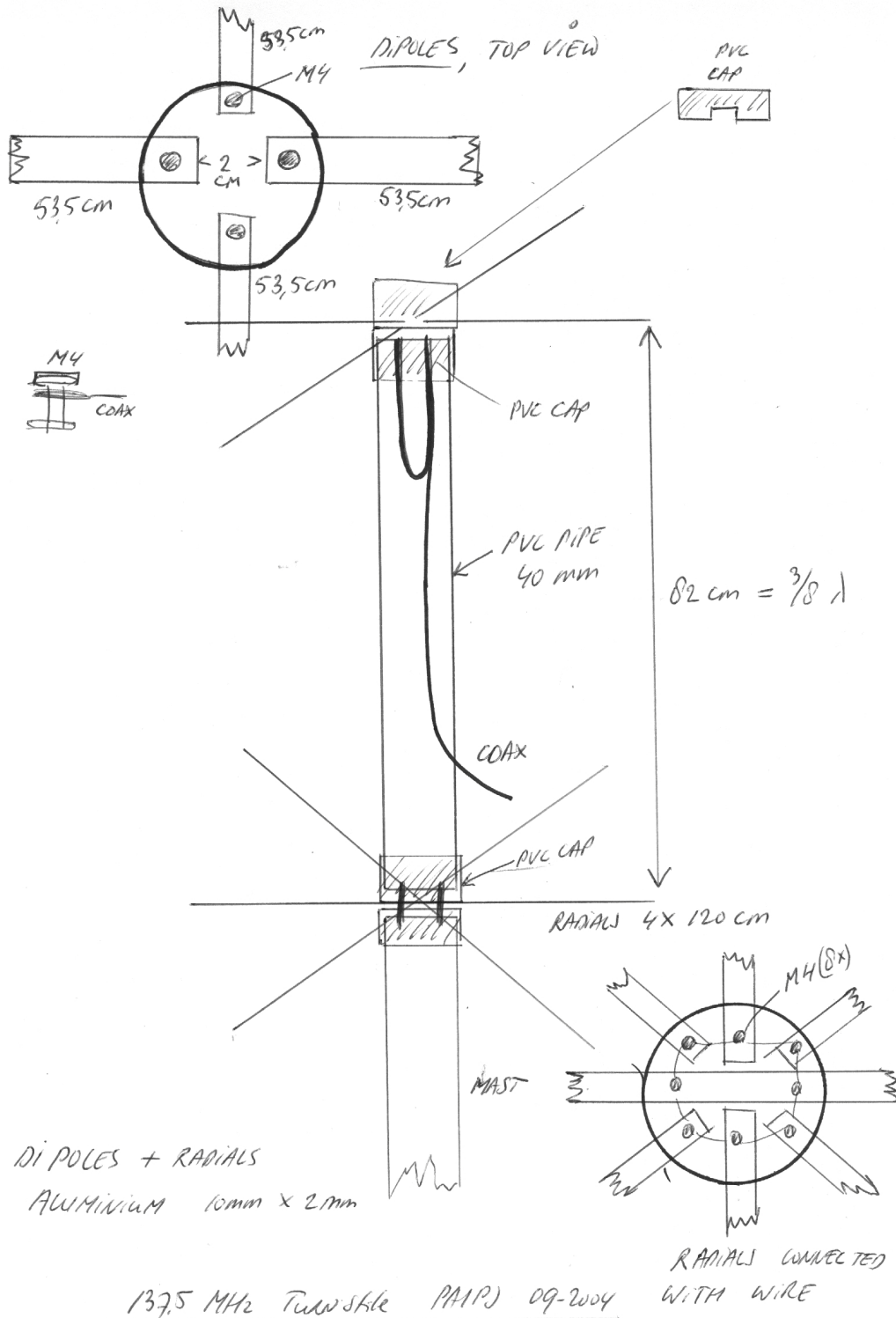


What do you need ?

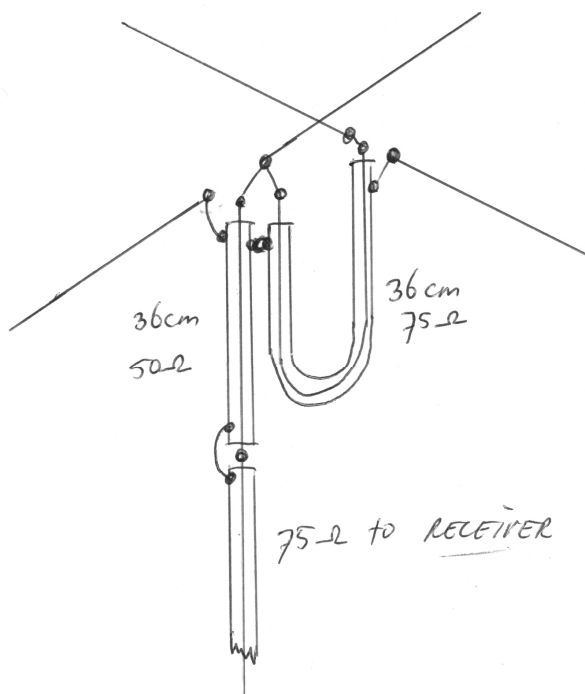
- Dipoles , 4 length's of 53,5 cm flat aluminium 10mm x 2mm
- Radials , 8 length's of 120 cm flat aluminium 10mm x 2 mm
- PVC pipe 40 mm diameter 82 cm long
- PVC pipe 40 mm diameter about 60 cm long for connection to your mast
- PVC cap for 40 mm , 4 pieces
- PVC-glue
- M4 bolt about 1,5 cm
- A piece of copperwire to connect the radials together
- Coax 50 Ohm 5 mm 36 cm
- Coax 75 Ohm 5 mm 36 cm
- Coax 75 Ohm 5mm for feedline

Dipoles + Radials



Coax feedline connection

COAX CONNECTION (INSIDE PVC PIPE)
+ phasing T.



137.5 MHz PA1PJ 09-2004